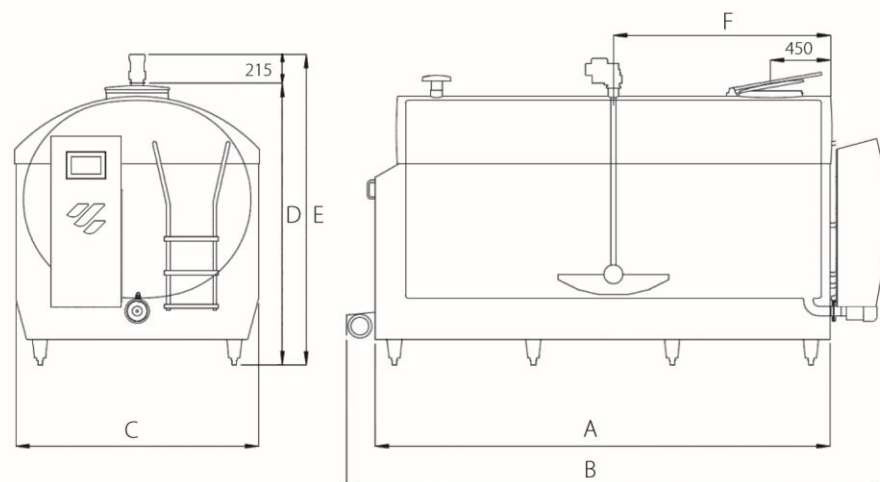


Schładzalnik z wytwornicą wody lodowej

1,600 L - 15,000 L

Fullwood Packo





Model	Volume liter	A mm	B mm	C mm	D mm	E mm	F mm	Agitators	Weight kg
1,600	1,674	2,185	2,850	1,300	1,415	1,648	1,017	1	429
1,600 T2	1,674	2,185	2,850	1,300	1,610	1,843	1,017	1	429
2,200	1,237	2,818	3,483	1,300	1,415	1,655	1,335	1	525
2,200 T2	1,237	2,818	3,483	1,300	1,610	1,850	1,335	1	525
2,800	2,813	2,010	2,675	1,800	1,781	2,013	942	1	601
2,800 T2	2,813	2,010	2,675	1,800	1,964	2,196	942	1	601
3,300	3,367	2,350	3,015	1,800	1,781	2,016	1,104	1	655
3,300 T2	3,367	2,350	3,015	1,800	1,964	2,199	1,104	1	655
3,800	3,881	2,664	3,329	1,800	1,781	2,019	1,262	1	730
3,800 T2	3,881	2,664	3,329	1,800	1,964	2,202	1,262	1	730
4,400	4,484	3,034	3,699	1,800	1,781	2,023	1,447	1	860
4,400 T2	4,484	3,034	3,699	1,800	1,964	2,206	1,447	1	860
5,000	5,039	3,374	4,039	1,800	1,781	2,026	1,617	1	940
5,000 T2	5,039	3,374	4,039	1,800	1,964	2,209	1,617	1	940
6,000	6,150	3,374	4,039	1,800	2,054	2,299	1,617	1	1,050
6,000 T2	6,150	4,035	4,700	1,800	1,964	2,209	1,617	1	1,050
7,150	7,320	4,001	4,666	1,800	2,054	2,324	1,137	2	1,300
9,650	9,899	4,001	4,666	2,244	2,311	2,584	1,002	2	1,700
12,400	12,540	5,041	5,706	2,244	2,311	2,600	1,262	2	1,930
15,400	15,772	6,217	6,882	2,244	2,311	2,618	1,564	2	2,240

*Oculus = F + 25 mm • **Pacap = F + 15 mm